

Shut-off valve for pressure measuring instruments brass, steel or stainless steel

Applications

- Shut-off and throttle valve for pressure measuring instruments, for measuring liquids, gases and vapours
- In stainless steel version for aggressive media, also in aggressive environments
- Process industry: Machine building, general plant construction, chemical/petrochemical, power plants, mining, on- and offshore and environmental technology

Special features

- Shut-off valve without test connection per DIN 16270 (with vent screw)
- Shut-off valve with test connection per DIN 16271 (with vent screw)
- Shut-off valve with separate isolating test connection per DIN 16272
- Nominal pressures to 400 bar

Description

Form A version of the shut-off valves is supplied with LH/RH union, and Form B version with shaft for the mounting bracket, with nipple and union nut. Shut-off valves with a test connection are intended for the simultaneous connection of operating pressure measuring instruments and test connection pressure gauges to the pressure pipeline. With shut-off valves per DIN 16271, the test pivot is sealed by a lens-type sealing ring and a screw cap placed on top; with valves per DIN 16272, the test pivot is separately isolated by an additional valve spindle. Shut-off valves are silicone-free.



Shut-off valve per DIN 16270,
LH-RH adjusting nut / male G ½, PN 250



Shut-off valve with separately isolated test connection per DIN 16272, LH/RH union/male G ½, with test pivot M20 x 1.5, PN 400

Pressure gauge valves

Art. No. 102672 to 102673

Type No. 9016/M to 9185/ES

Pressure gauge double blocking valves

Art. No. 140261, 169712, 201996, 143402, 133464

Type No. MAVM12A, MAVES12A, MAVS12A, MAVM12B, MAVES12B



Standard version

Pressure connection

G ½, test connection M20 x 1.5

Wetted parts (valve body)

Brass:

PN 250, temperature range -10 ... +120 °C

Steel, phosphated:

PN 400, temperature range -10 ... +120 °C

Stainless steel:

PN 400, temperature range -20 ... +200 °C

Needle and seating

Corrosion and acid resistant stainless steel

Packing

PTFE

Hand wheel

Heat-resistant plastic

Nominal pressures

See table below

Options

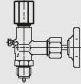
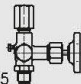

- Free from oil and grease
- Acceptance test certificate per DIN 50049 / EN 10204 3.1
- DVGW version, PN 100, DIN 16270
- Connection M20 x 1.5, ½ NPT
- With bellows sealing up to PN 100
- Design per NACE

Versions for oxygen use

- With PN 100 bar to max. 60 °C
- With PN 160 bar to max. 60 °C
- With PN 250 bar to max. 60 °C
- With PN 230 bar to max. 200 °C (graphite packing)

With wetted parts from steel or stainless steel

- With special packing (pure graphite) up to 250 °C
- Up to PN 640 bar

Design	Connection	PN in bar	Wetted parts	Order number	
				Form A	Form B
 DIN 16270	G ½	250	Brass	102662	102665
	G ½	400	Steel	102663	on request
	G ½	400	1.4571	102664	102666
 DIN 16271 Test connection M20 x 1.5	G ½	250	Brass	102667	102670
	G ½	400	Steel	102668	on request
	G ½	400	1.4571	102669	102671
 DIN 16272 Test connection M20 x 1.5	G ½	250	Brass	140261	143402
	G ½	400	Steel	201996	on request
	G ½	400	1.4571	169712	133464

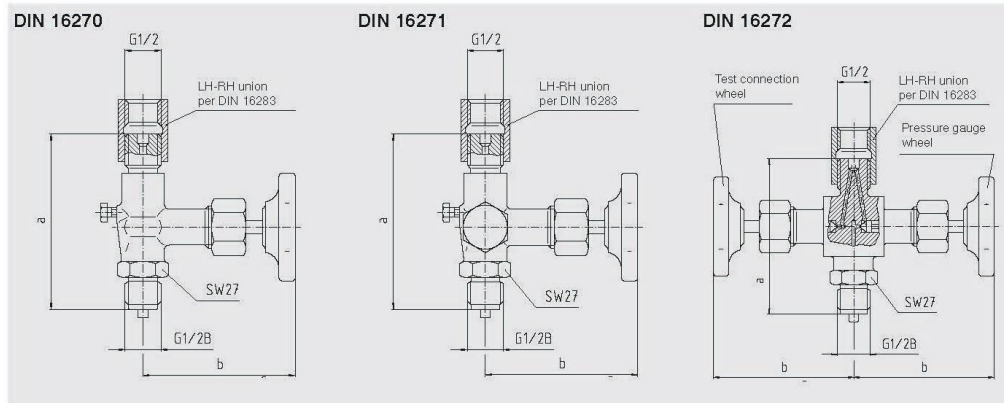
Adapter piece for valves with test connection

A suitable adapter piece is available for valves with test connection (test female G ½ / female M20 x 1.5).

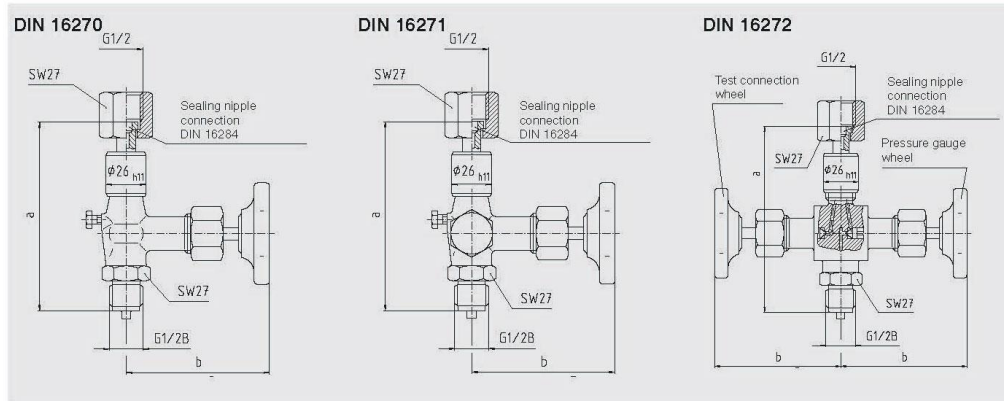
Design	Material	Order number
 Adapter piece	Brass	on request
Test female G ½ / female M20 x 1.5	1.4571	on request

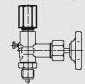
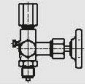
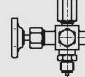
Dimensions in mm

Form A, LH/RH union / male



Form B, nipple and union nut / male, with shaft for mounting bracket



Design		Dimensions in mm		Weight in kg		
		a	b ±5	Brass	Steel	1.4571
	Form A	100 ±1	85	0.54	0.52	0.52
	Form B	120 ±5	85	0.61	0.56	0.56
	Form A	100 ±1	85	0.67	0.65	0.65
	Form B	120 ±5	85	0.79	0.74	0.74
	Form A	100 ±1	85	0.95	0.95	0.95
	Form B	120 ±5	85	1.00	1.00	1.00